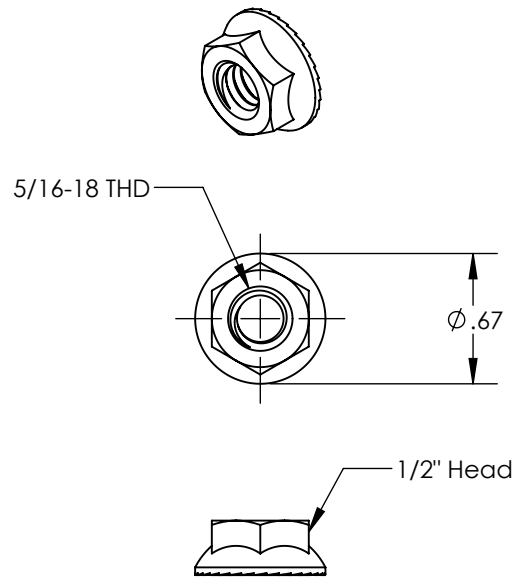
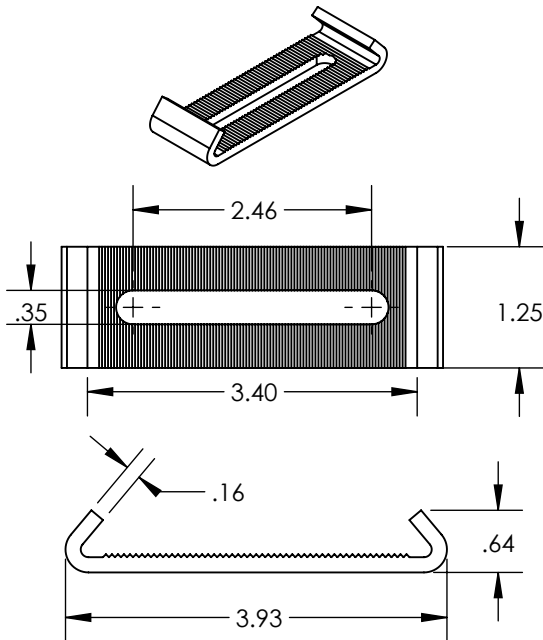


ITEM NO	COMPONENT	QTY IN KIT
1	BOTTOM CLAMP MILL, EXTRUDED	1
2	NUT, FLANGE 5/16-18 SST	1

Part Number	Description
BX-BCL-M1	BOTTOM CLAMP MILL, EXTRUDED

1) Bottom Clamp Mill, Extruded

2) Nut, Flange 5/16-18 SST



Property	Value
Material	6000 Series Alluminum
Finish	Mill

Property	Value
Material	300 Series Stainless Steel
Finish	Mill